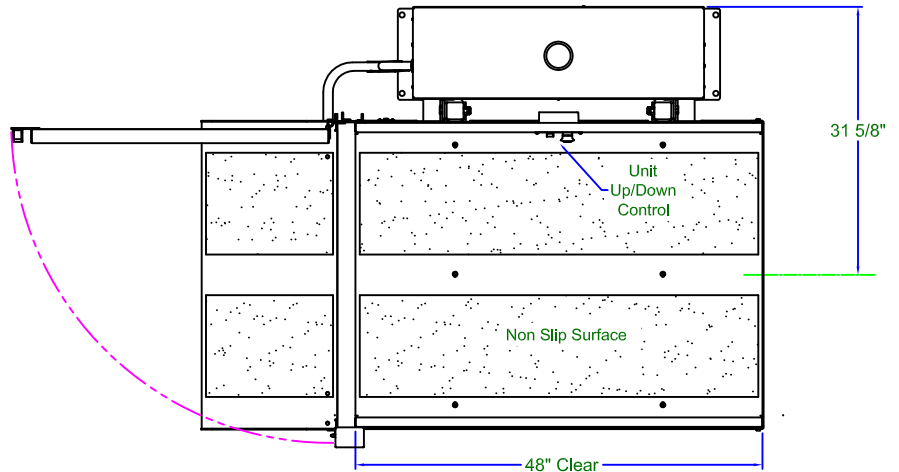




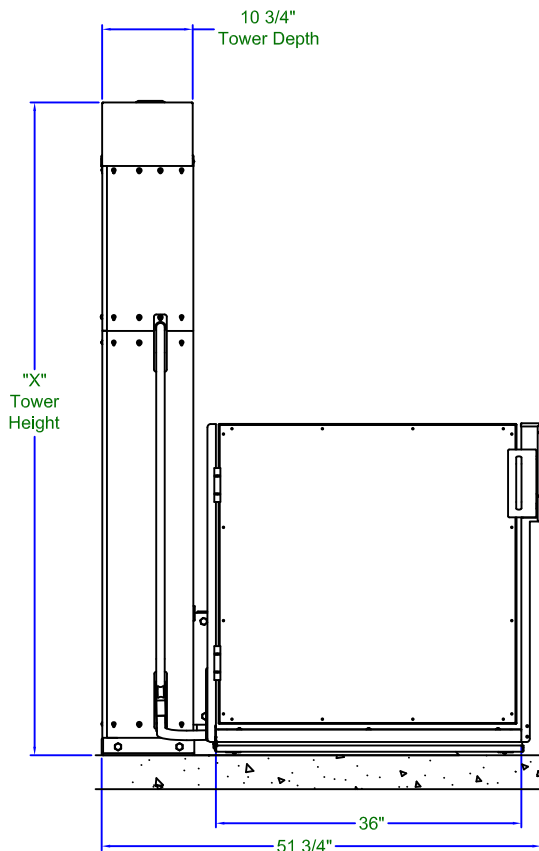
# AmeriGlide Hercules II VPL Typical Drawing

Left Hand Shown; Right Hand is Opposite  
Right Hand Platform Gate Shown

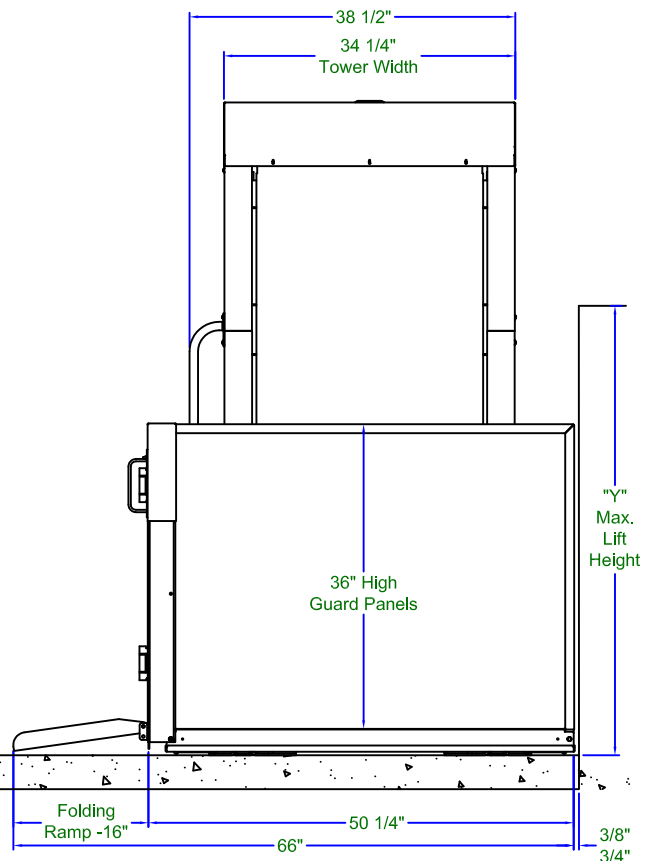
Model	"X"	"Y"
AG400	77"	53"
AG600	101"	77"
AG800	125"	101"
AG1000	149"	125"
AG1200	173"	149"



Plan View



Front View



Side View