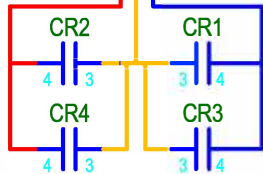
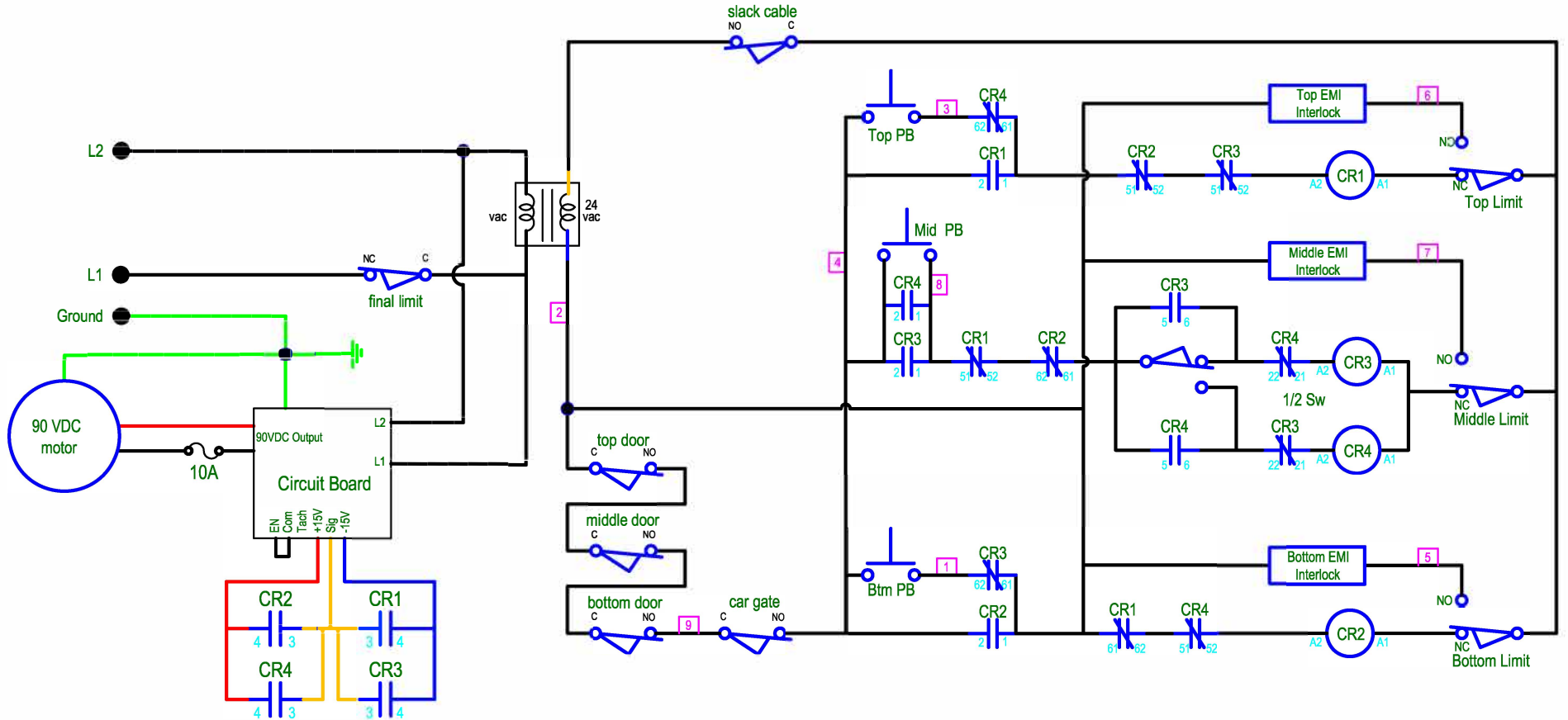
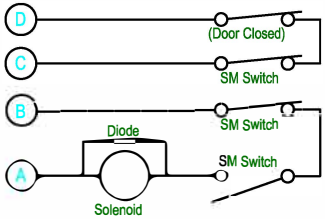


REV.	E.C.N.	REVISION DESCRIPTION	BY	DATE
B		Move Car Door Sw. inline with Hoistway Door Sw.	JB	07/03/07
C		Added Circuit Bd to Diagram	JB	10/30/07
C2		Made Corrections	JB	03/07/08



Internal EMI Interlock Wiring



CR1 = Up to Top
 CR2 = Down to Bttm
 CR3 = Up to Middle
 CR4 = Down to Middle

ITEM No.	QTY	SIZE	PART No.	MATERIAL OR ITEM DESCRIPTION
MATERIAL LIST				
TOLERANCE UNLESS NOTED				PRODUCT: AmeriGlide Express
.X ±.06				TITLE: Ladder Diagram, 3-Stop
.XX ±.03				DRAWN: JB
.XXX ±.010				SCALE: NTS
HOLES ±.005				DATE: 02/07/06
ANGLES ±1°				SIZE: B
CHECKED BY:				LAST PLOT: 12-Jun-09
CHECK DATE:				REVISION: C2
APP. BY:				CAD FILE NAME: 25416
APP. DATE:				