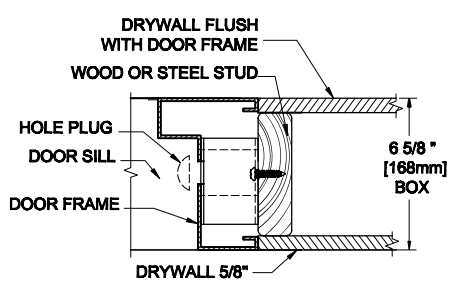
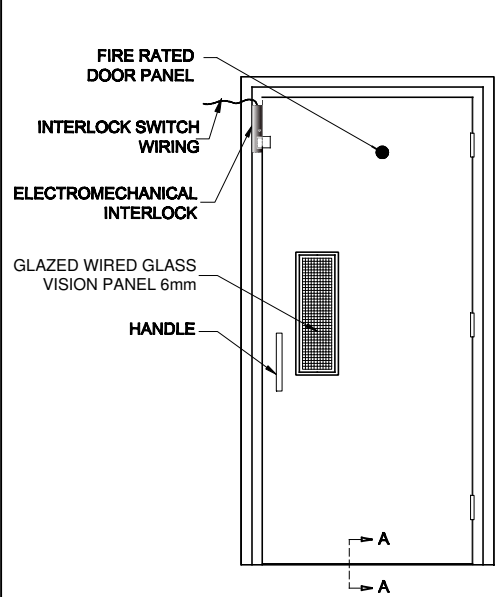
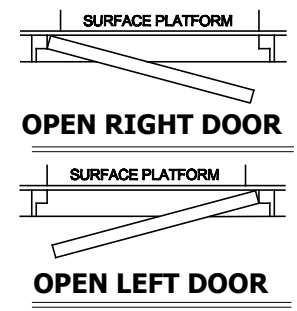


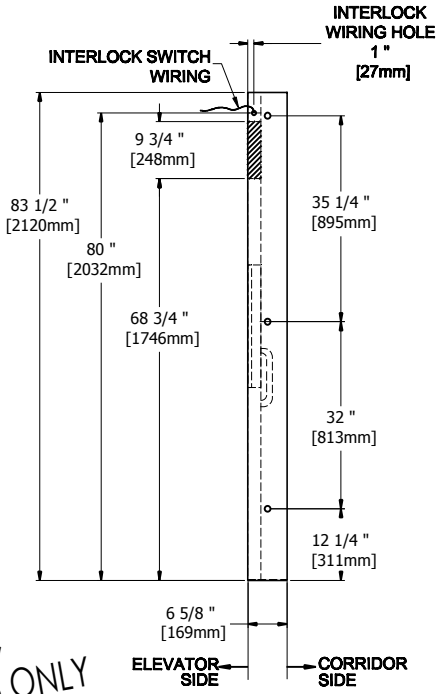
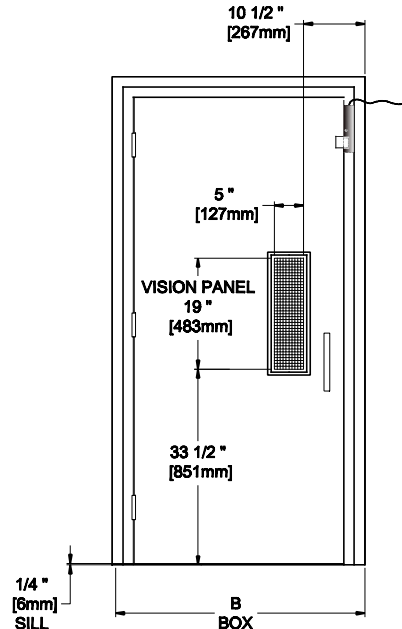
TOP VIEW



DETAIL D



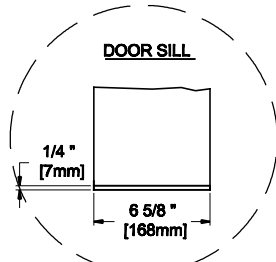
ELEVATION



SIDE VIEW

- DOOR INSTALLATION:**
- 1) Install doors before finishing the walls
 - 2) Leave a 3/4" space on each side of the door to allow sideway adjustment on site
 - 3) The latch side jamb of the landing door must be flush with the inner face of the platform's side wall.

- FIRE RATED DOORS :**
- ULC 90 min certified: ULC S104; NFPA 252; UBC 7-2; UL 10(b)
 - Steel door and frame: (not painted) 16 GA MIN.
 - Checkered plate sill
 - Wood and concrete anchors
 - Interlock switch certified CAN/CSA B44
 - 4.5" Ball bearing hinges
 - "D" Shaped pull handle (stainless steel)
 - Stainless steel kick plate
 - Glazed wired glass vision panel
 - Flush mounted landing door



SECTION A-A

1 STEEL FIRE RATED DOOR

GENERAL DOCUMENT,
INFORMATIONAL PURPOSES ONLY

A= DOOR	B= BOX	C= OPENING	D= CLEARANCE
32" [813mm]	39 1/4" [997mm]	32" [813mm]	29 3/4" [756mm]
34" [864mm]	41 1/4" [1048mm]	34" [864mm]	31 3/4" [807mm]
36" [915mm]	43 1/4" [1099mm]	36" [915mm]	33 3/4" [857mm]
38" [965mm]	45 1/4" [1149mm]	38" [965mm]	35 3/4" [908mm]
40" [1016mm]	47 1/4" [1200mm]	40" [1016mm]	37 3/4" [957mm]
42" [1067mm]	49 1/4" [1251mm]	42" [1067mm]	39 3/4" [1010mm]

NOTE:
- THE INSIDE DOOR MUST BE FLUSH, WITHOUT NICHE OR PROTRUSION.
- THE VISION PANEL COULD BE OMITTED, IF A INDICATOR LIGHT OR AUDITIF DISPOSITIF IS INSTALLED.

AmeriGlide
Accessibility Solutions

AmeriGlide, Inc.
5110 Atlantic Ave
Raleigh, NC 27616
1 (800) 790-1635

GENERAL INFORMATION

NO. DRAWING	P-01	DATE	12/13/2018	REVISION	5
CODE	B-305 - B-613	DRAWER	M. DEBUSSCHERE	NO. SHEET	1/1